

Streme Digital Signage: Technical Data Sheet

Streaming Manager/Central Server

Software Specifications

- 1) Template Designing** – Simple drag and drop interface. No complex numeric inputs required. Any number of windows on the template layout of any type. Playback limited by hardware only.
- 2) Scheduling** – Contents and templates scheduling based on date and (or) time can be done. Streme also supports event based scheduling of templates which are helpful for event boards and other similar usages.
- 3) Security** - Content created from any other software installation of this product should not play on our network. If a user replaced a file on the player, it should not get displayed. Only files sent from a manager console should get displayed, User rights management with specific users allowed specific locations, displays and actions must be provided.

Hardware Specifications

Recommended H/w configuration is Intel Core 2 Duo CPU, 2 GB DDR2 RAM, Secondary Storage 80 GB or more HDD, resolution 1024X768 or

above, Audio Mic in, Stereo Audio Out, 4 USB Ports, 1 Serial Port, 17" LCD with touch screen, 10/100 Ethernet support.

Network Types Support

Tested and verified for LAN capable of local area networks, LAN Capable of operating on virtual LANs defined over a wide area, FTP Data Transfer support, USB data transfer support, GPRS/3G modem support, wireless broadband, VSAT Connectivity like HCL Comnet or other providers, Wi-Fi LAN support with extra hardware installed.

Data Transfer Option

Restrict data transfer as per time. Scheduled downloads at specific time intervals, say everyone hour FTP Data transfer support with incremental download and resume on disconnect. This reduces the network traffic. Players Pull data from FTP Server. FTP Server does not push data to players. There should be no application running on the FTP Server. This allows us to select any FTP server running on any OS like Linux, Unix or Windows, Provision for some players on network and some on internet. The network must support configurable ftp servers,

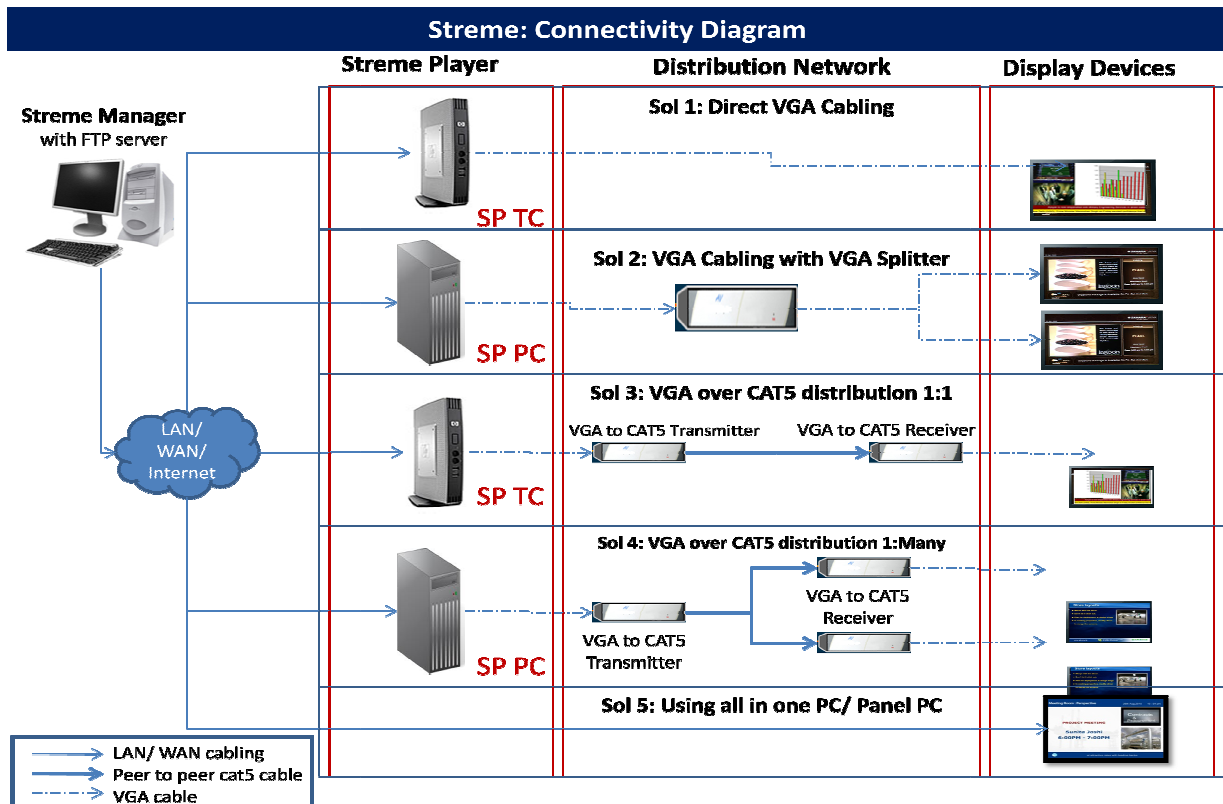
Streme Player

Software Specifications

- 1) Multimedia Capability:** Playing Movie, flash, Tickers, Power Point viewer, Event Display, Animated agent, Ability to display time, date, countdown timers, label etc, Live TV input (for live TV input we will require additional TV Tuner hardware at Display end), RSS news feeds from internet support. Add on features supported by the software are IP Camera Integration, External Application, Excel Viewer, Grid display, Live video broadcast integration capability, Regional languages ticker support.
- 2) Integration and interfacing features:** Vertical layout orientation for mounting vertical displays. Support for hardware rotation, software rotation and content rotation. Built in serial interface for display for communication with LCD Panel, support for Stereo Audio, should be capable of supporting touch screens, Optional Extensive hardware support like RFID, Printers etc., time Sync with central server for the player to keep correct date and time, Local update of ticker at Branch level.

Hardware Specifications:

- 1) Operating System:** Low- power Embedded hardware with XPES OS for higher reliability, direct power off should not make the system unstable. User can directly power off the thin client and it should not damage the OS or application in any way, locked operating system to prevent any unauthorized writes to the system. Writing can be only done by authorized service personnel, the system must auto log on, no mouse and keyboard required for startup, embedded as antivirus per loaded.
- 2) Configuration:** Intel Atom based 1GB RAM, Power consumption less than 15 W under normal operation, Secondary Storage 16 GB Disk or more, min resolution support 1024x768 or Higher, VGA Output, Audio, Mic in, Audio Out., USB Ports, 8 USB Ports, Serial Port, 1 Serial Port., XPES, Slim design for LCD Back mount, Optional Mounting brackets.



Streme is a registered trademark of Niche Softek Pvt Ltd. All trademarks and copyrights acknowledged. No part of this data sheet may be reproduced without express permission from Niche Softek Pvt Ltd. All Specifications subject to change without notice in line with incorporating latest technical advances in our products